

# TECHNICAL DATASHEET

## 60P

### ORDER INFORMATION

Short Code

**60P**

Quantity per EU/CNT pallet

**48/80 pcs**

LxWxH (mm)

**278x175x190**

Lead weight (kg)

**11.2**

Electrolyte (kg)

**6.1**

Total Weight (kg)

**19.4**

### TECHNOLOGY

Battery Technology

**Flooded**

Grid Type (pos/neg)

**Expanded/Expanded**

Grid Alloy (pos/neg)

**Ca/Ca**

Separator

**PE**

### TECHNICAL INFORMATION

Voltage (V)

**12**

Capacity C5 (Ah)

**60**

Capacity C20 (Ah)

**75**

CCA-18°C EN (A)

**680**

### BOX DESIGN

Box Type

**L3**

Cover Type

**Kamina**

Colour

**Black**

Polarity

**0**

Hold down

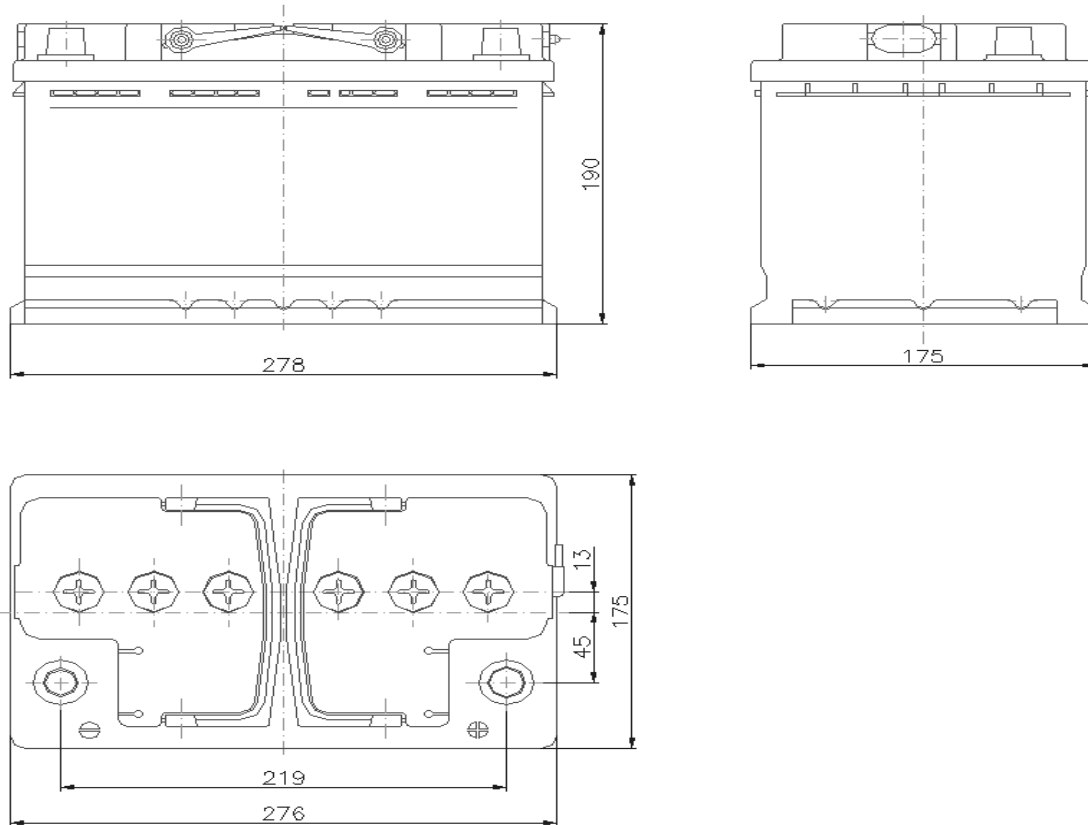
**B13**

Terminal

**1**



## DRAWING



[www.multibatt.cl](http://www.multibatt.cl)  
[info@multibatt.cl](mailto:info@multibatt.cl)

 +56 9 52067881

## TECHNICAL DATASHEET

### 60P

TAB d.d, Polena 6, SI-2392 Mežica, Slovenia, [www.tab.si](http://www.tab.si)