

TAB



www.multibatt.cl
info@multibatt.cl

 +56 9 52067881

TECHNICAL DATASHEET

TAB AGM STOP&GO AG95

ORDER INFORMATION

TAB ID
213090

Short Code
AG95

DIN Marking
L5 AGM

EAN Code
3838807008939

Quantity per EU/CNT pallet
36/60 pcs

TECHNOLOGY

Primary Function
Advanced Start/Stop Functionality

Battery Technology
AGM - Absorbent Glass Mat

Grid Type (pos/neg)
Casted/Concasted

Grid Alloy (pos/neg)
Ca/Ca

Separator
GM

Electrolyte (g/cm³)
1,3

TECHNICAL INFORMATION

Voltage (V)
12

Capacity C20 (Ah)
95

CCA -18°C EN (A)
850

RC (min)
184

LxWxH (mm)
353x175x190

Total Weight (kg)
26.0

BOX DESIGN

Box Type
L5

Cover Type
Sealed

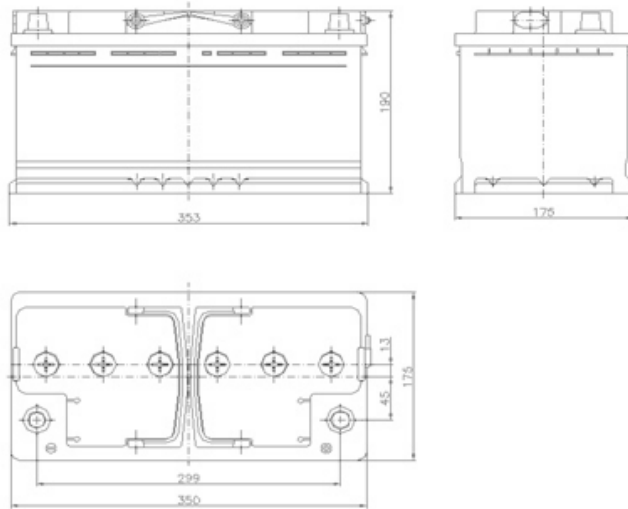
Colour
Black

Layout
0

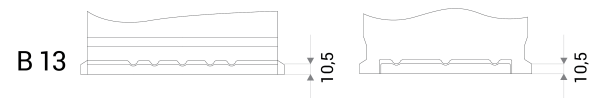
BHD
B13

Terminal
1

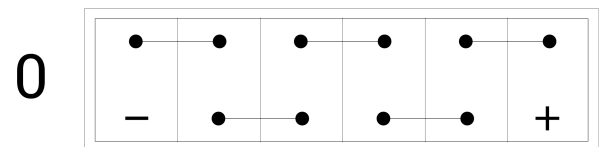
DRAWING



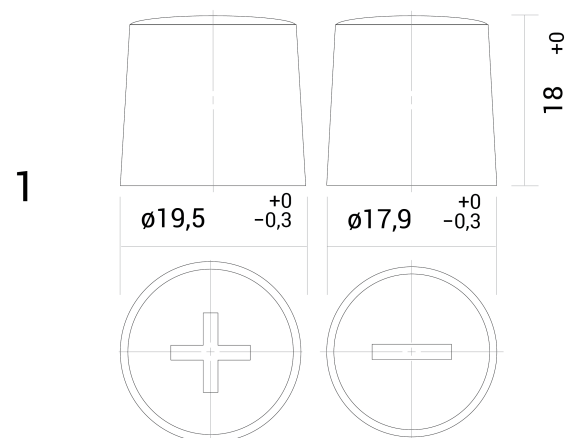
BHD



LAYOUT



TERMINAL



www.multibatt.cl
info@multibatt.cl

 +56 9 52067881

TECHNICAL DATASHEET

TAB AGM STOP&GO AG95

TAB d.d, Polena 6, SI-2392 Mežica, Slovenia, www.tab.si