



www.multibatt.cl
info@multibatt.cl

 +56 9 52067881

TECHNICAL DATASHEET

TAB POLAR S45JA

ORDER INFORMATION

TAB ID
246845

Short Code
S45JA

DIN Marking
54523/84 SMF

EAN Code
3838807030336

Quantity per EU/CNT pallet
72/96 pcs

TECHNOLOGY

Primary Function
Engine Start

Battery Technology
Flooded

Grid Type (pos/neg)
Expanded/Concasted

Grid Alloy (pos/neg)
Ca/Ca

Separator
PE

Electrolyte (g/cm³)
1,28

TECHNICAL INFORMATION

Voltage (V)
12

Capacity C20 (Ah)
45

CCA -18°C EN (A)
360

RC (min)
71

LxWxH (mm)
236x128x202/223

Total Weight (kg)
11.9

BOX DESIGN

Box Type
B24

Cover Type
SMF

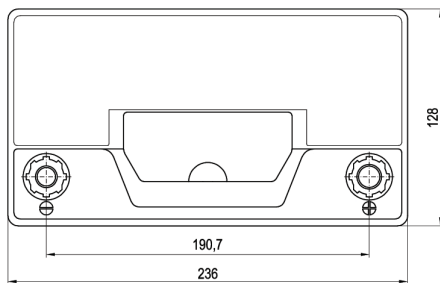
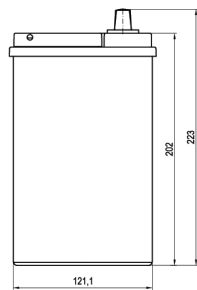
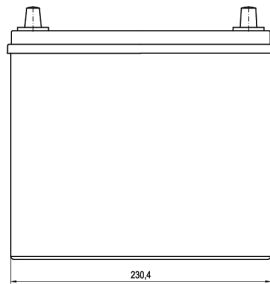
Colour
Black

Layout
0

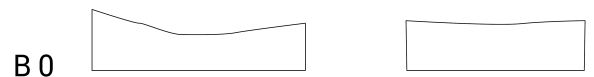
BHD
B0

Terminal
1

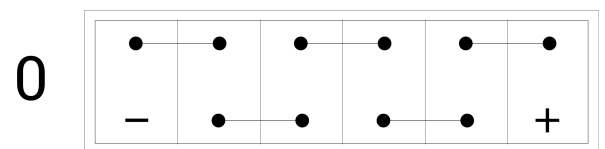
DRAWING



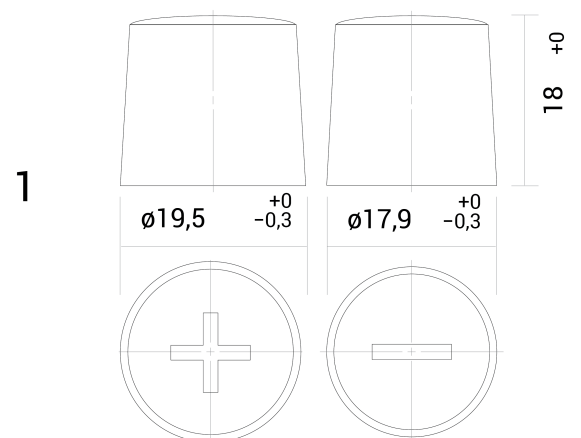
BHD



LAYOUT



TERMINAL



www.multibatt.cl
info@multibatt.cl

 +56 9 52067881

TECHNICAL DATASHEET

TAB POLAR S45JA

TAB d.d, Polena 6, SI-2392 Mežica, Slovenia, www.tab.si