



[www.multibatt.cl](http://www.multibatt.cl)  
[info@multibatt.cl](mailto:info@multibatt.cl)

 +56 9 52067881

## TECHNICAL DATASHEET

### TAB POLAR S45JAX

#### ORDER INFORMATION

TAB ID  
**246945**

Short Code  
**S45JAX**

DIN Marking  
**54524/51 SMF**

EAN Code  
**3838807030343**

Quantity per EU/CNT pallet  
**72/96 pcs**

#### TECHNOLOGY

Primary Function  
**Engine Start**

Battery Technology  
**Flooded**

Grid Type (pos/neg)  
**Expanded/Concasted**

Grid Alloy (pos/neg)  
**Ca/Ca**

Separator  
**PE**

Electrolyte (g/cm<sup>3</sup>)  
**1,28**

#### TECHNICAL INFORMATION

Voltage (V)  
**12**

Capacity C20 (Ah)  
**45**

CCA -18°C EN (A)  
**360**

RC (min)  
**71**

LxWxH (mm)  
**236x128x202/223**

Total Weight (kg)  
**11.9**

#### BOX DESIGN

Box Type  
**B24**

Cover Type  
**SMF**

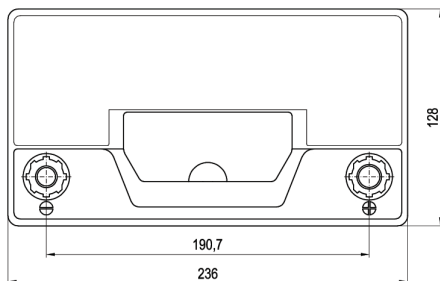
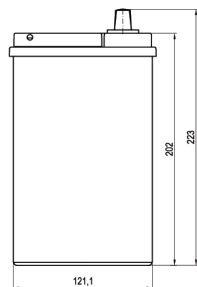
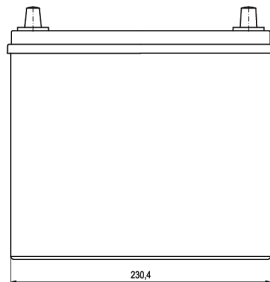
Colour  
**Black**

Layout  
**1**

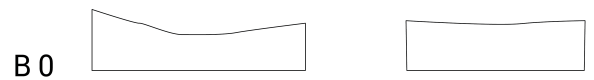
BHD  
**B0**

Terminal  
**1**

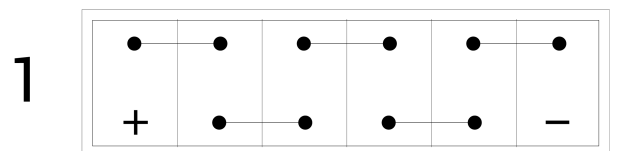
## DRAWING



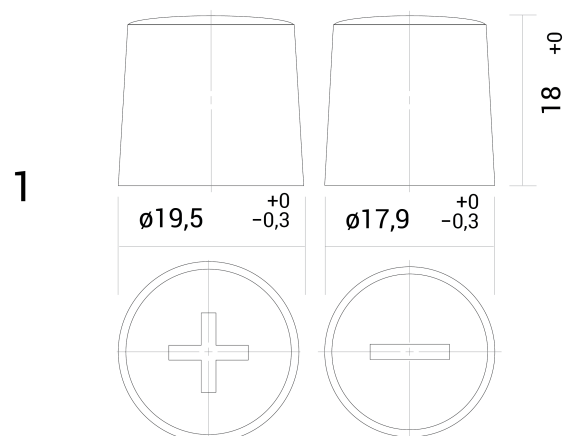
## BHD



## LAYOUT



## TERMINAL



[www.multibatt.cl](http://www.multibatt.cl)  
[info@multibatt.cl](mailto:info@multibatt.cl)

 +56 9 52067881

## TECHNICAL DATASHEET

# TAB POLAR S45JAX

TAB d.d, Polena 6, SI-2392 Mežica, Slovenia, [www.tab.si](http://www.tab.si)