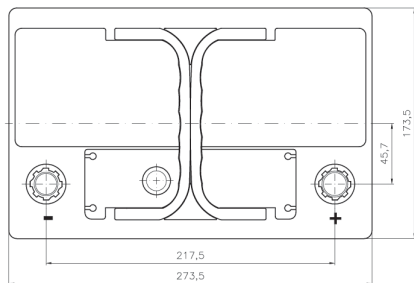
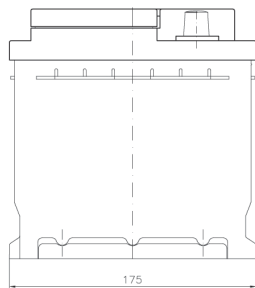
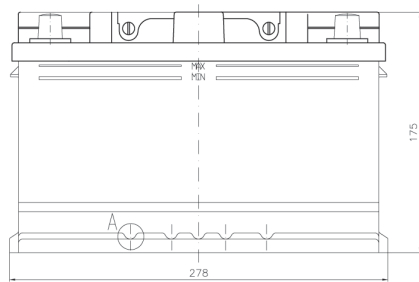
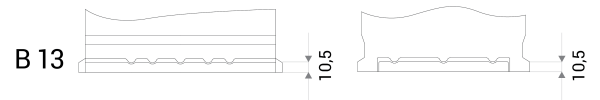


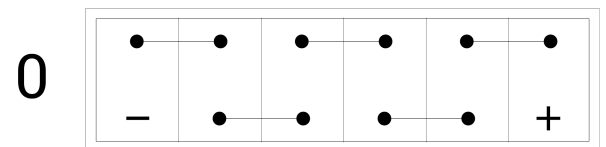
DRAWING



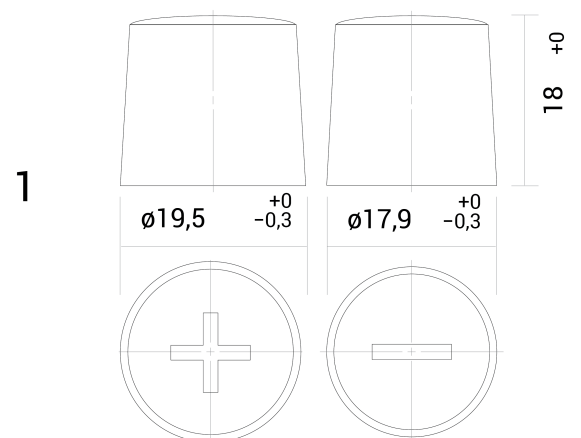
BHD



LAYOUT



TERMINAL



www.multibatt.cl
info@multibatt.cl

+56 9 52067881

TECHNICAL DATASHEET

TAB EFB STOP&GO SG65

TAB d.d, Polena 6, SI-2392 Mežica, Slovenia, www.tab.si