

TAB



www.multibatt.cl
info@multibatt.cl

 +56 9 52067881

TECHNICAL DATASHEET

TAB EFB STOP&GO SG80

ORDER INFORMATION

TAB ID
212080

Short Code
SG80

DIN Marking
58088 EFB

EAN Code
3838807023802

Quantity per EU/CNT pallet
42/60 pcs

TECHNOLOGY

Primary Function
Start/Stop Functionality

Battery Technology
EFB - Enhanced Flooded Battery

Grid Type (pos/neg)
Expanded/Concasted

Grid Alloy (pos/neg)
Ca/Ca

Separator
PE

Electrolyte (g/cm³)
1,28

TECHNICAL INFORMATION

Voltage (V)
12

Capacity C20 (Ah)
80

CCA -18°C EN (A)
800

RC (min)
140

LxWxH (mm)
315x175x190

Total Weight (kg)
21.9

BOX DESIGN

Box Type
L4

Cover Type
SMF

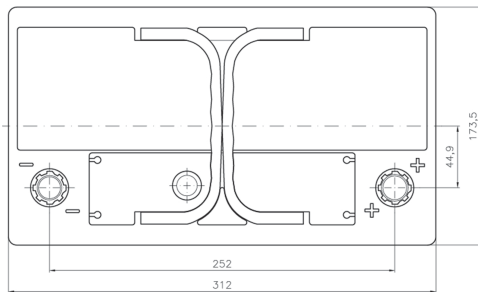
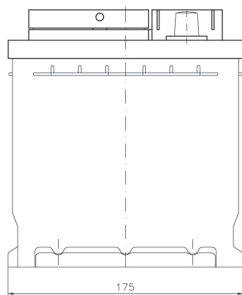
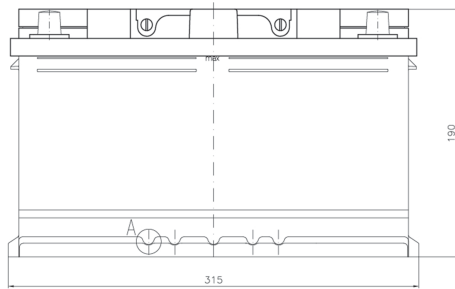
Colour
Black

Layout
0

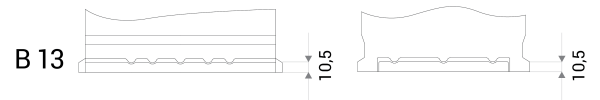
BHD
B13

Terminal
1

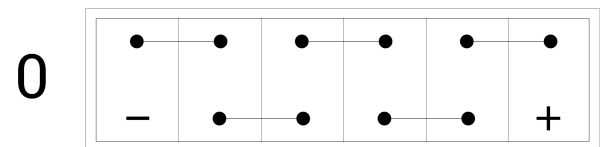
DRAWING



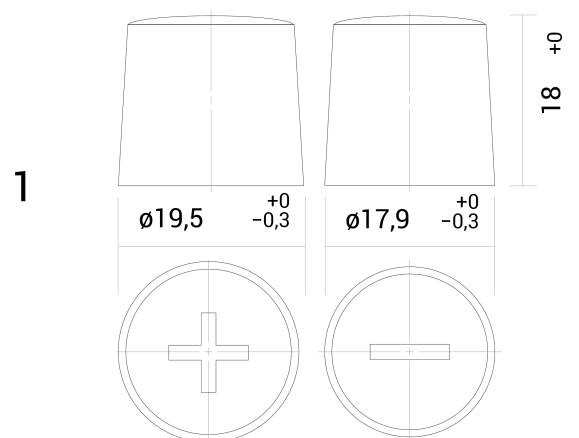
BHD



LAYOUT



TERMINAL



www.multibatt.cl
info@multibatt.cl

+56 9 52067881

TECHNICAL DATASHEET

TAB EFB STOP&GO SG80

TAB d.d, Polena 6, SI-2392 Mežica, Slovenia, www.tab.si