



www.multibatt.cl
info@multibatt.cl

 +56 9 52067881

TECHNICAL DATASHEET

TAB POLAR TRUCK TR22R

ORDER INFORMATION

TAB ID
950912

Short Code
TR22R

DIN Marking
70027

EAN Code
3838807036710

Quantity per EU/CNT pallet
18/24 pcs

TECHNOLOGY

Primary Function
Engine Start

Battery Technology
Flooded

Grid Type (pos/neg)
Casted/Concasted

Grid Alloy (pos/neg)
Sb/Ca

Separator
PE

Electrolyte (g/cm³)
1,28

TECHNICAL INFORMATION

Voltage (V)
12

Capacity C20 (Ah)
220

CCA -18°C EN (A)
1100

RC (min)
409

LxWxH (mm)
518x273x214/241

Total Weight (kg)
52.7

BOX DESIGN

Box Type
C

Cover Type
Flat

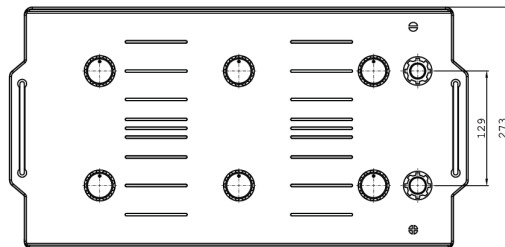
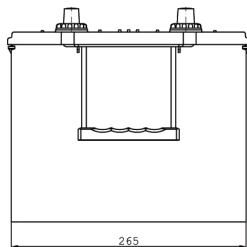
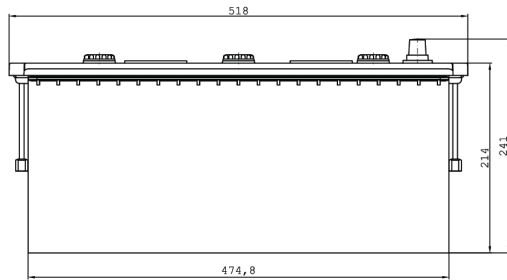
Colour
Black

Layout
4

BHD
B0

Terminal
1

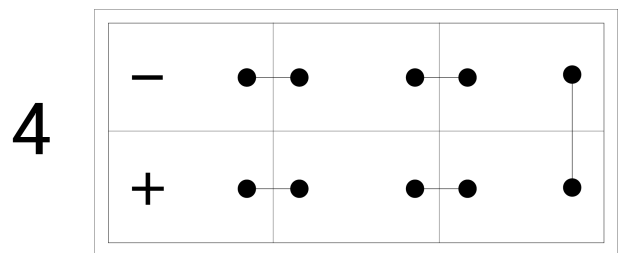
DRAWING



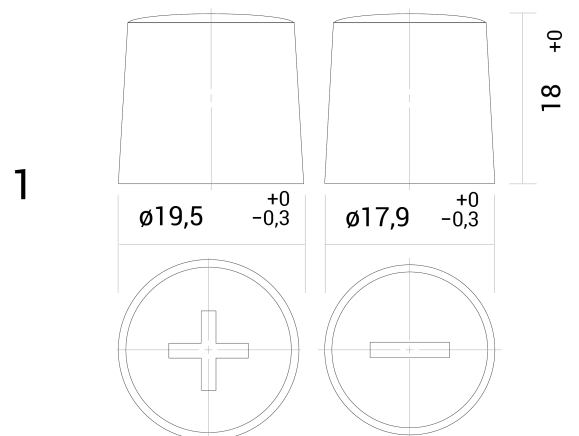
BHD



LAYOUT



TERMINAL



www.multibatt.cl
info@multibatt.cl

 +56 9 52067881

TECHNICAL DATASHEET

TAB POLAR TRUCK TR22R

TAB d.d, Polena 6, SI-2392 Mežica, Slovenia, www.tab.si